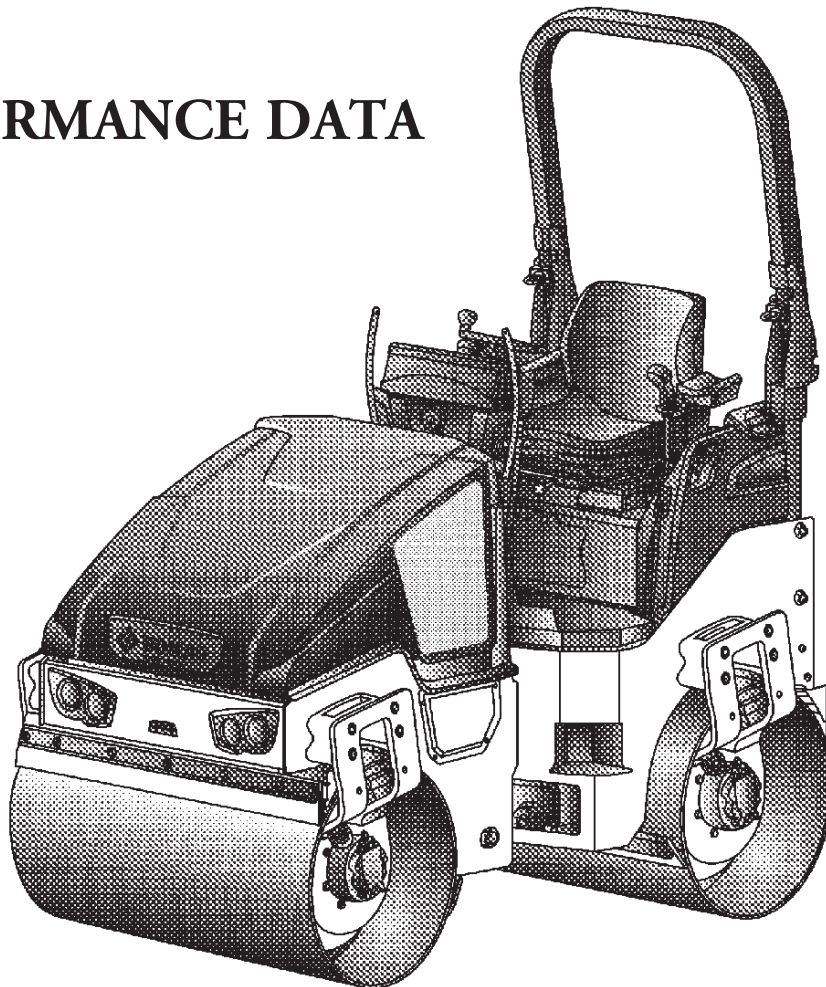


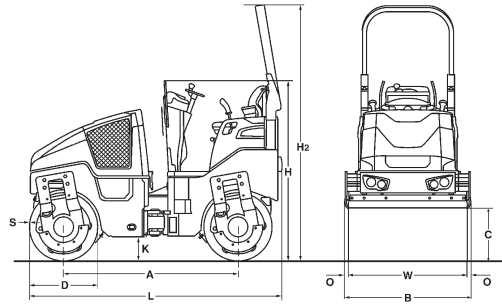


TANDEM VIBRATORY ROLLER BW 120 AD-5

PERFORMANCE DATA



BW 120 AD-5



Standard Equipment

- Hydrostatic travel and vibration drive
- Pressure sprinkler system with interval switch
- Vibration isolated operator's platform
- 2 scrapers per drum, spring loaded
- Multi-function travel lever
- Multi-function dash display
- Hourmeter
- Electric fuel gauge
- Emergency STOP switch
- Intelligent Vibration Control (IVC)
- Integrated storage compartment
- Adjustable operator's seat
- Lashing eyes, galvanized
- Back-up alarm
- Single point lifting device
- V-belt protection
- Vandalism protection
- Lockable engine hood made of composite material
- Working lights front and rear
- Seat contact switch
- Plastic water tank
- Foldable ROPS incl. seat belt

Optional Equipment

- Indicator and hazard lights
- Rotary beacon
- Battery disconnection switch
- Sliding seat
- ECONOMIZER
- Theft protection
- Special paint
- Edge cutter
- BOMAG Telematic
- Foldable sunroof
- Weather protection
- Seat heating
- Backup warning buzzer with broadband technology
- Environmentally hydraulic oil compliant

Dimensions in inches (mm)

	A	B	C	D	H	H2	K	L	O	S	W
BW 120 AD-5	69	50	20.6	27.6	71.2	101	10	99.6	1.4	0.5	47.2
	(1752)	(1272)	(523)	(700)	(1808)	(2568)	(254)	(2529)	(36)	(13)	(1200)

Technical data

Weights

Operating weight w. ROPS	lb (kg)	6261 (2840)
Average static linear load	lb/in (kg/cm)	66.1 (11.8)

Driving Characteristics

Speed	mph (km/h)	0 - 6.8 (0 - 11)
Working speed with vibration	mph (km/h)	0 - 6.8 (0 - 11)
Max. gradeability without/with vibr.	%	40 / 30

Drive

Engine manufacturer	Kubota
Type	D 1703-IDI
Tier Compliance	Tier 4 Final
Cooling	water
Number of cylinders	3
Performance ISO 14396	25 kW
Performance SAE J 1995	33.5 hp
Speed	2400 rpm
Electric equipment	12 V
Driven drum	front + rear

Brakes

Service brake	hydrost.
Parking brake	hydromec.

Steering

Steering system	oscil.artic.
Steering method	hydrost.
Steering / oscillating angle +/-	32 / 10 deg
Crab steer offset - manual	0 - 2 (0 - 50) in (mm)
Track radius, inner	96.5 (2450) in (mm)

Exciter System

Vibrating drum	front + rear
Drive system	hydrost.
Frequency	3600/4020 (60/67) VPM (Hz)
Amplitude	0.020 (0.50) in (mm)
Centrifugal force	7419/9442 (33/41) lb (kN)

Drum Water Spray System

Type	pressure with interval
------	------------------------

Capacities

Fuel	gal (l)	9.2 (35)
Water	gal (l)	54.2 (205)

Technical modifications reserved. Machines may be shown with options.



BOMAG Americas, Inc.
125 Blue Granite Parkway
Ridgeway, SC 29130 • Tel: 803 337-0700

3M0215TTBB R0